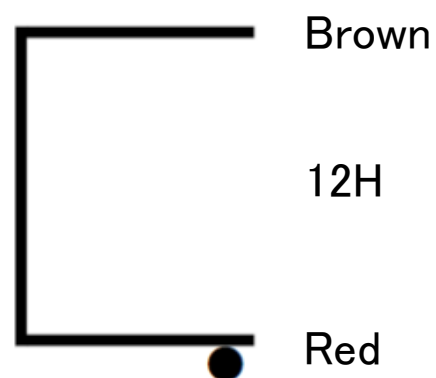




FMC-1226HL  
FINEMET® NANOCRYSTALLINE Core Choke

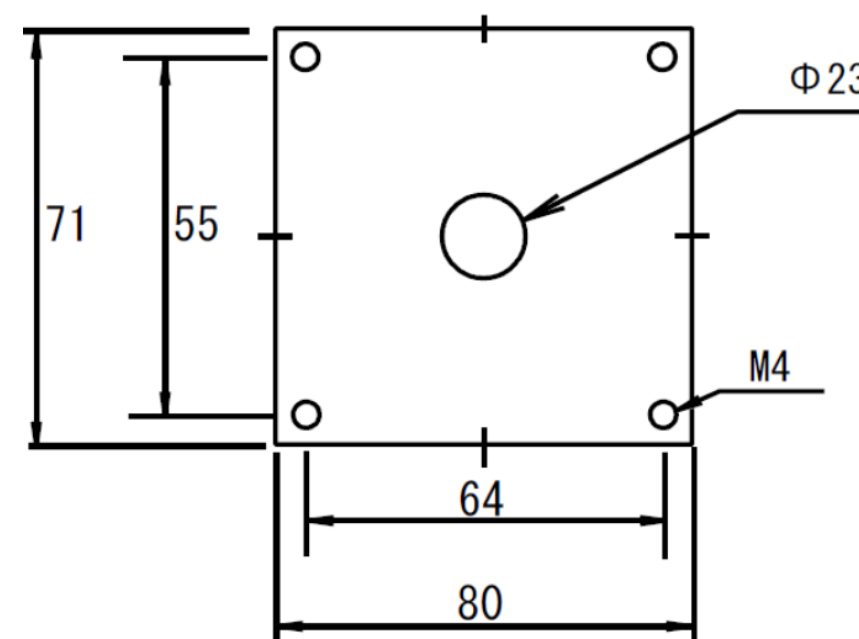
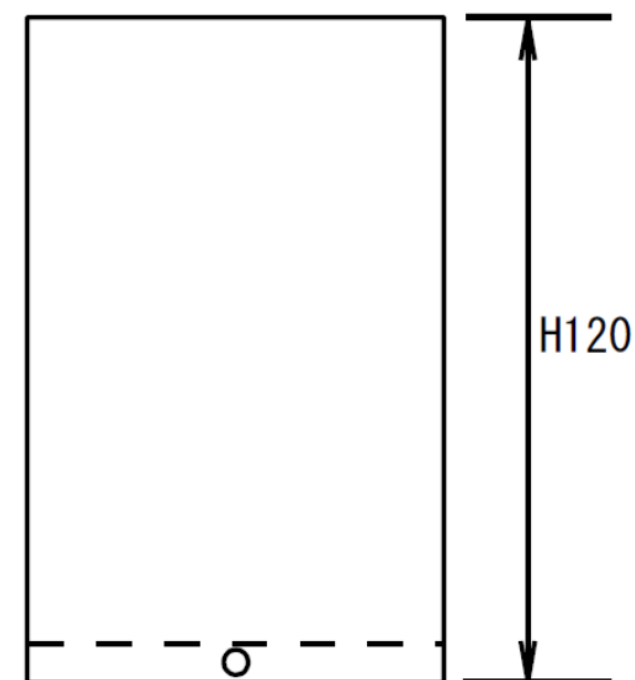
Audio Feast

### Wiring Connection



Inductance 12H  
Recommended DC current 200mA  
Max DC Current 260mA  
Minimum choke Input current 40mA  
DCR 120 ohm  
Max AC voltage 700V  
Dimension 80x71x120(H)mm  
Black hammered metal case, or Urushi finish

Side screws are not  
in the dimension.



Email: [CleanUnderwear@gmail.com](mailto:CleanUnderwear@gmail.com)

Web: [TheAudioFeast.com](http://TheAudioFeast.com)

Distributed by Audio Feast (Nashville, TN, USA)

Final finish by Teramoto (Myoko, Japan)

Designed by General Ind. (Saitama, Japan)

Oct. 2018