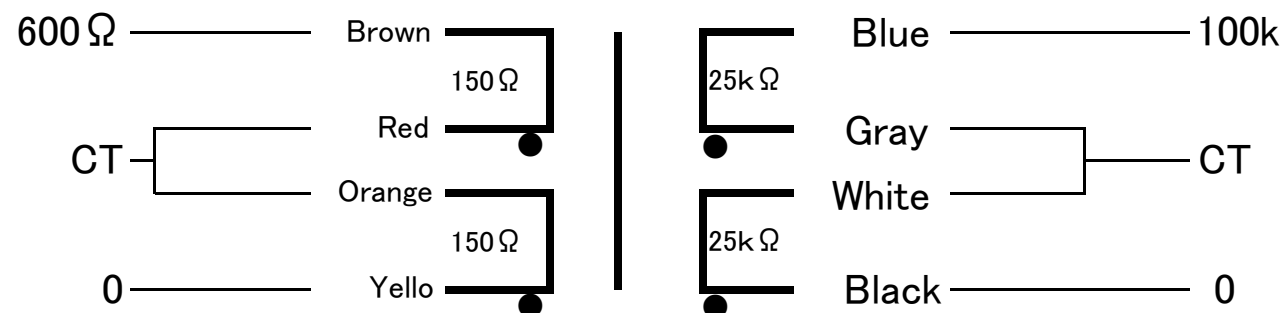


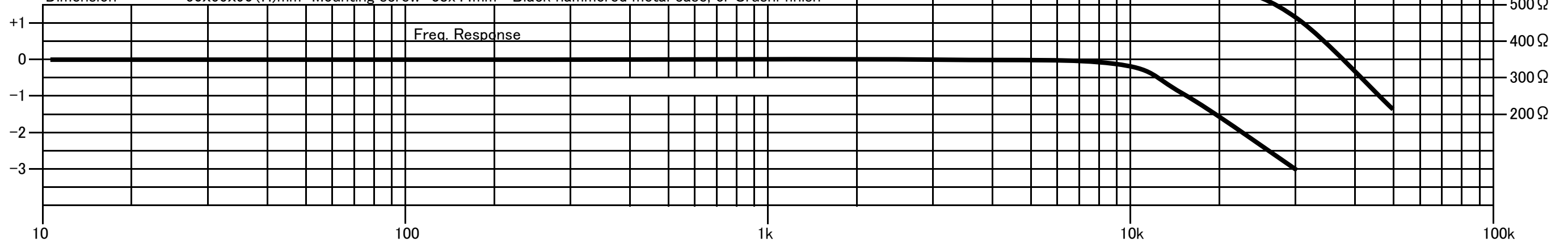
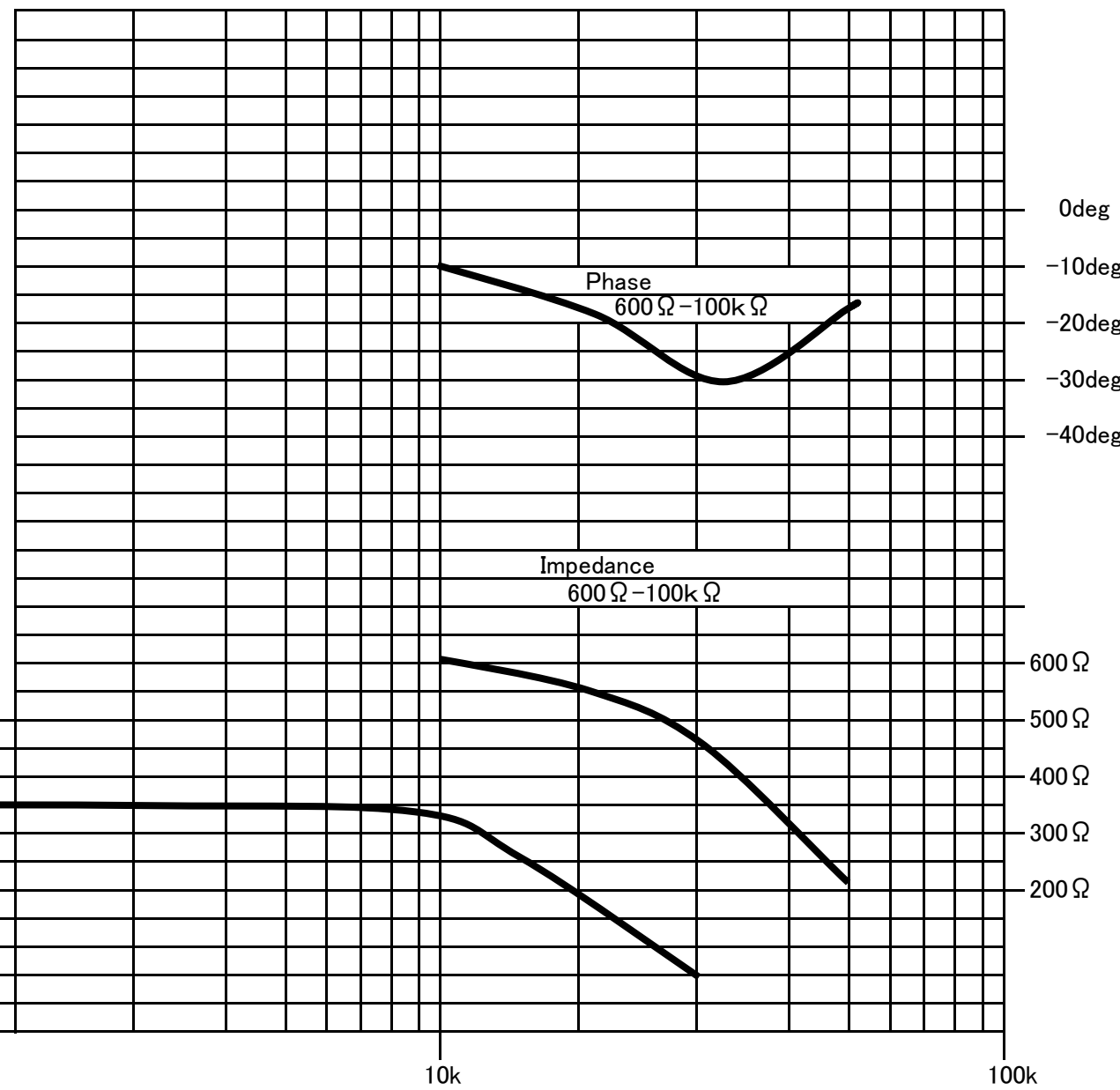


**FM-600-100KCT**  
 FINEMET® NANOCRYSTALLINE Core Input Transformer Audio Feast

### Wiring Connection

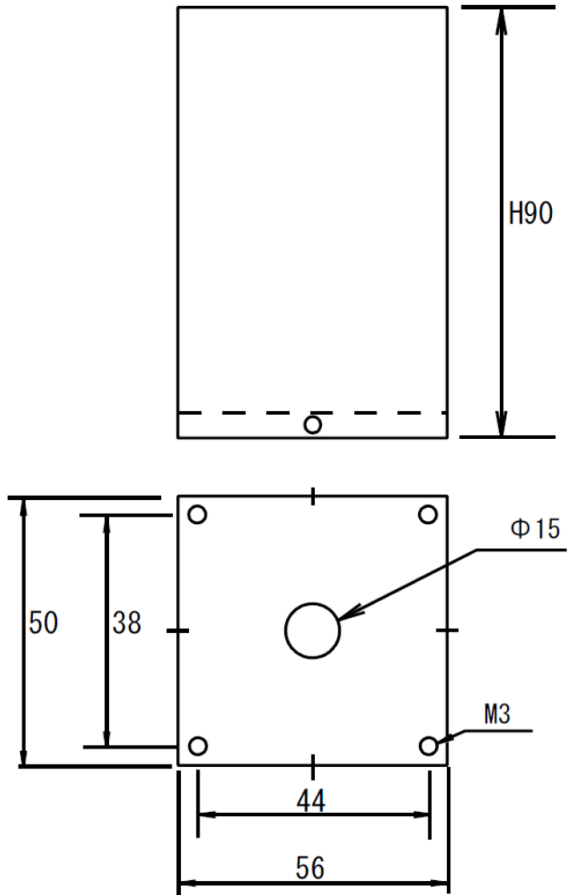


Ratio	1:12.9	Max input voltage	7V (20Hz)
Freq. Response	5~15kHz (-1dB 0.775V 0dB)		
Pri. Inductance	13H (40Hz)	Sec. Load Resistance	100k~10M Ω
Pri. DCR	Brown-Red (7.7 Ω) / Orange-Yellow (7.7 Ω)		
Sec. DCR	Blue-Gray (1k Ω) / White-Red-Black (1k Ω)		
Pri. max DC current	140mA	Sec. max current	12mA
Dimension	50x55x90(H)mm	Mounting screw	38x44mm
			Black hammered metal case, or Urushi finish



Email: [CleanUnderwear@gmail.com](mailto:CleanUnderwear@gmail.com)  
 Web: [TheAudioFeast.com](http://TheAudioFeast.com)  
 Distributed by Audio Feast (Nashville, TN, USA)  
 Final finish by Teramoto (Myoko, Japan)  
 Designed by General Ind. (Saitama, Japan)

Available on Black metal case OR  
Urushi finish



Black Metal Case



Urushi finish

All dimension is in mm.

Dimension does not include screws around the case.

